



LEFROY BROOKS

1 8 2 8 T R O U T M A N S T R E E T
R I D G E W O O D N E W Y O R K N Y 1 1 3 8 5 U S A
T: +1(718) 302 5292 F: +1(718) 302 4177

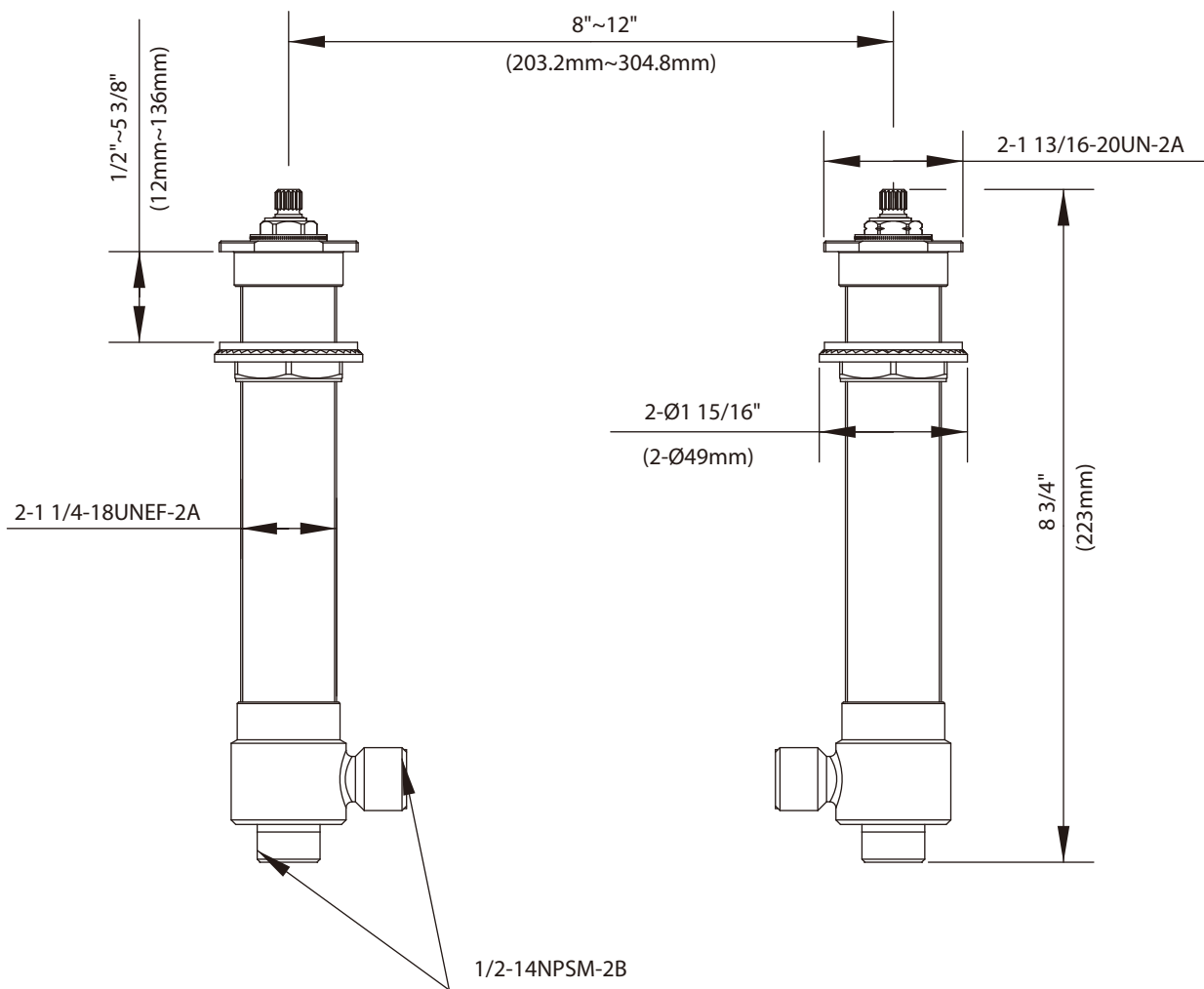
R1-4033

DECK FLOW CONTROL ROUGHS (1 PAIR), TO SUIT K1-1026,
M1-1026, X1-1026, CW-1026, CB-1026

DIMENSIONAL DATA SHEET

DATE: 25 DECEMBER 2014

No: A66F454-50



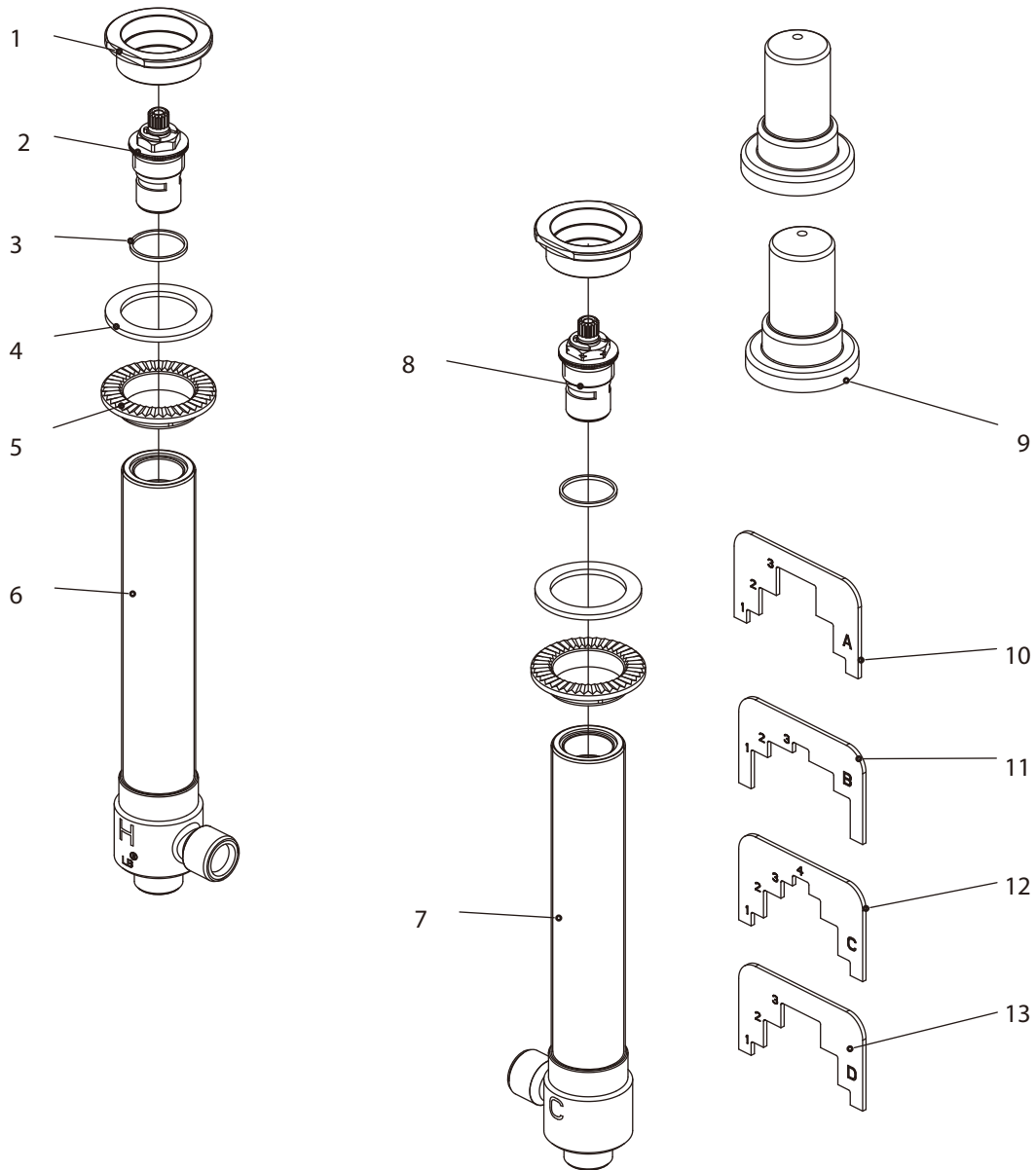
COPYRIGHT © LBIF LTD 2012. ALL RIGHTS RESERVED.

DIMENSIONS IN INCHES & MILLIMETRES

WHILST EVERY EFFORT IS MADE TO ENSURE THE ACCURACY OF THESE DATA SHEETS THEY ARE SUBJECT TO CHANGE WITHOUT NOTICE AS PART OF THE COMPANY'S PRODUCT DEVELOPMENT PROCESS

R1-4033

DECK FLOW CONTROL ROUGHS (1 PAIR), TO SUIT K1-1026, M1-1026, X1-1026, CW-1026, CB-1026



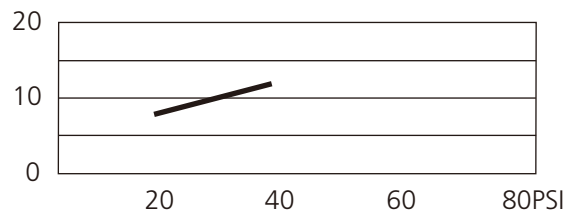
- 1 Nut (009331)
- 2 Cartridge (507725-50)
- 3 Washer (200143N)
- 4 Oil-seal (010022)
- 5 Nut (054026)
- 6 Body (061113H-50)
- 7 Body (061113C-50)

- 8 Cartridge (507724-50)
- 9 Rubber protective cap (038103)
- 10 Gauge A (for Fleetwood (M2) series) (027105)
- 11 Gauge B (for Kafka (K1) & XO (X1) series) (027104)
- 12 Gauge C (for Mackintosh (M1) series) (027107)
- 13 Gauge D (for Classic series) (027108)

Standards

IAPMO/cUPC Listed
 Meets NSF 61-9
 Meets A112.18.1

Flow Rate



Please note :
 Final achievable flow rate is dependent on the outlets fitted, see relevant outlets (spouts, roses, sprays) for fully assembled product flow rate.